

CAI2* + 3* + CAN Altenfelden AUT

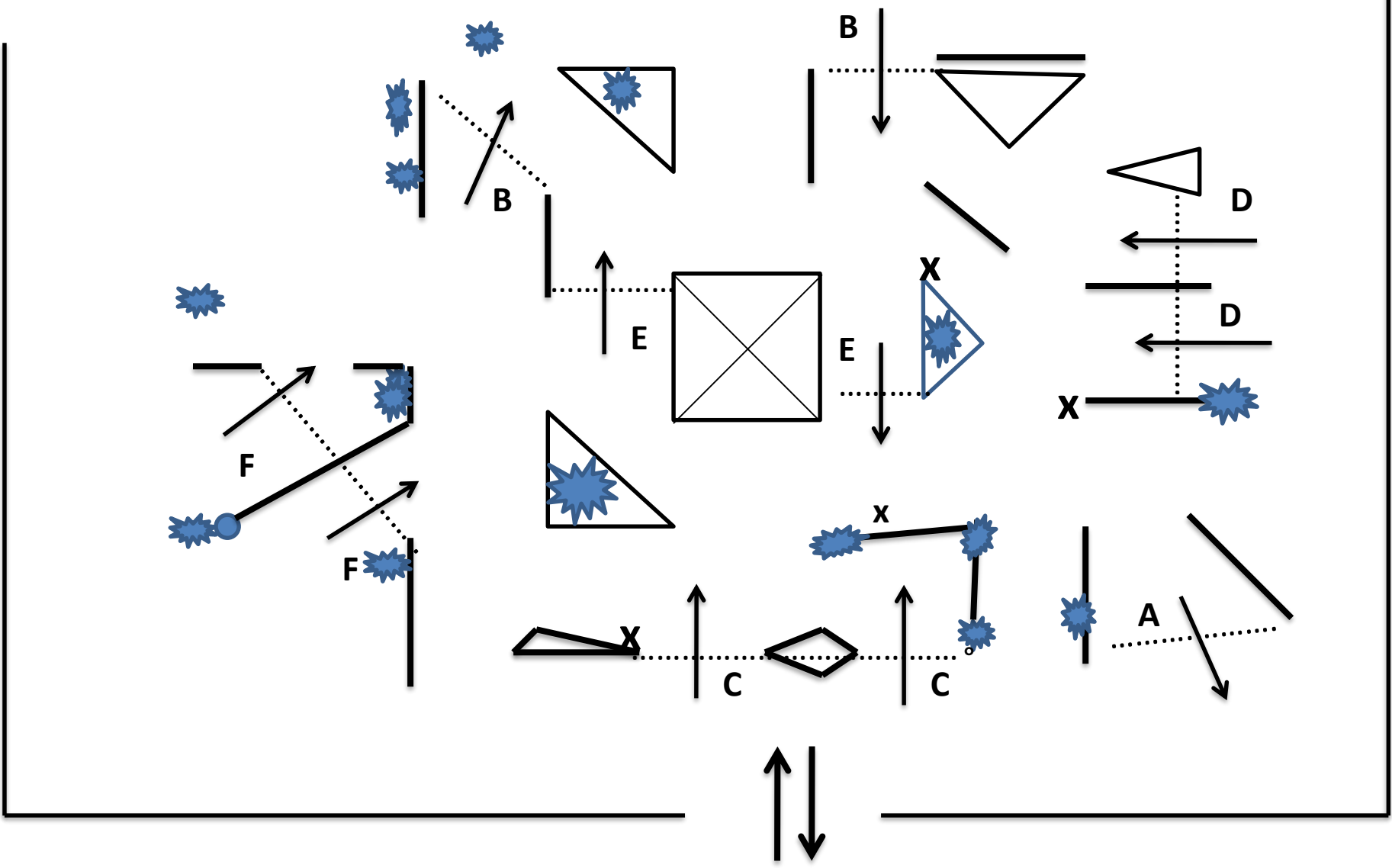
17.06.2017

MARATHON OBSTACLES

Course Designer : MAREK ZALESKI POL FEI Lev 3
Marek Zaleski Tel. 0048 618488487
Lutycka 34A str Mobil 0048 723999504
60415 Poznan E-Mail marekzaleski@wp.pl

1

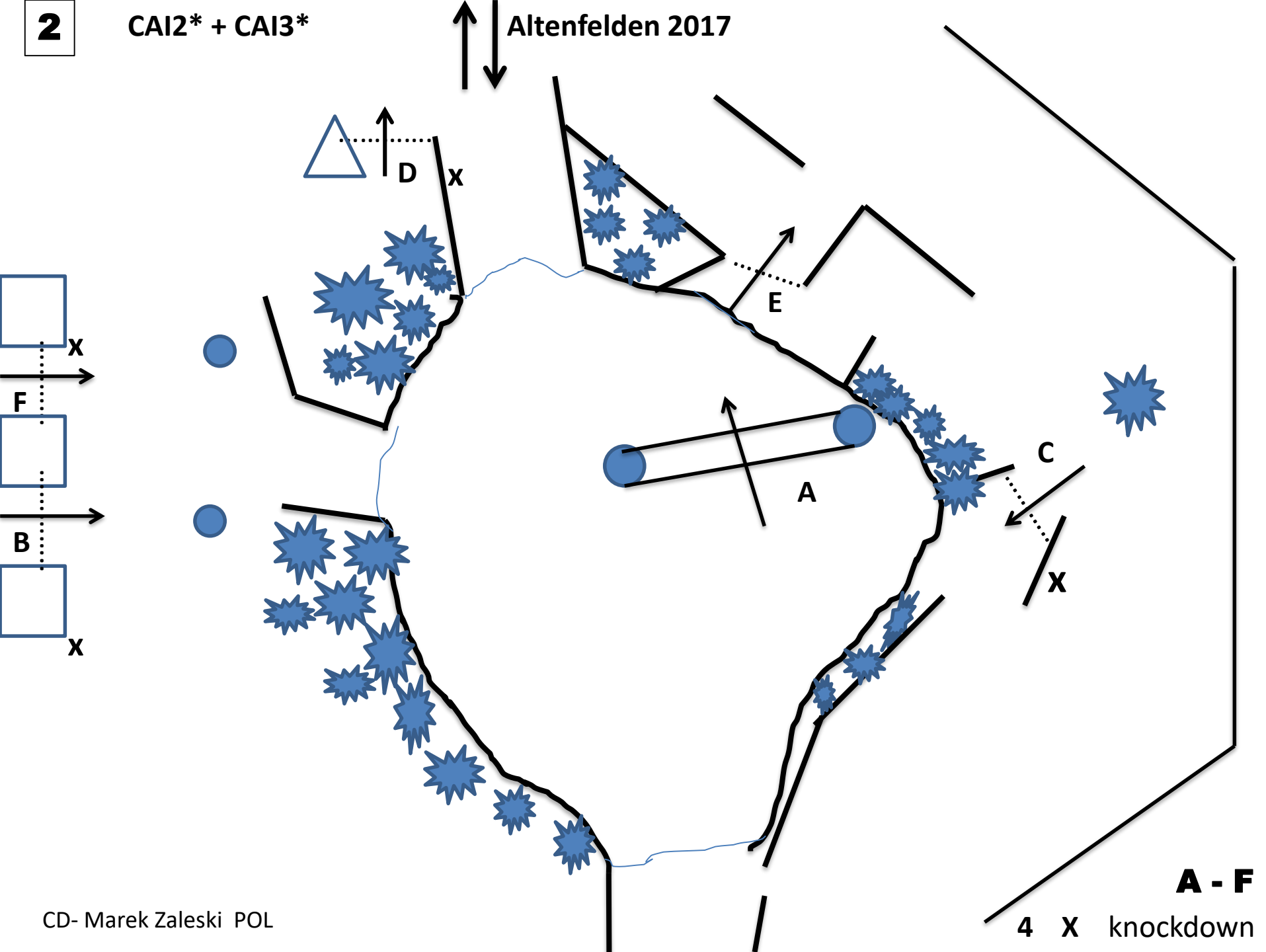
CAI2*+ CAI3*+ CAIJ + CAI Ch + CAN Altenfelden 2017

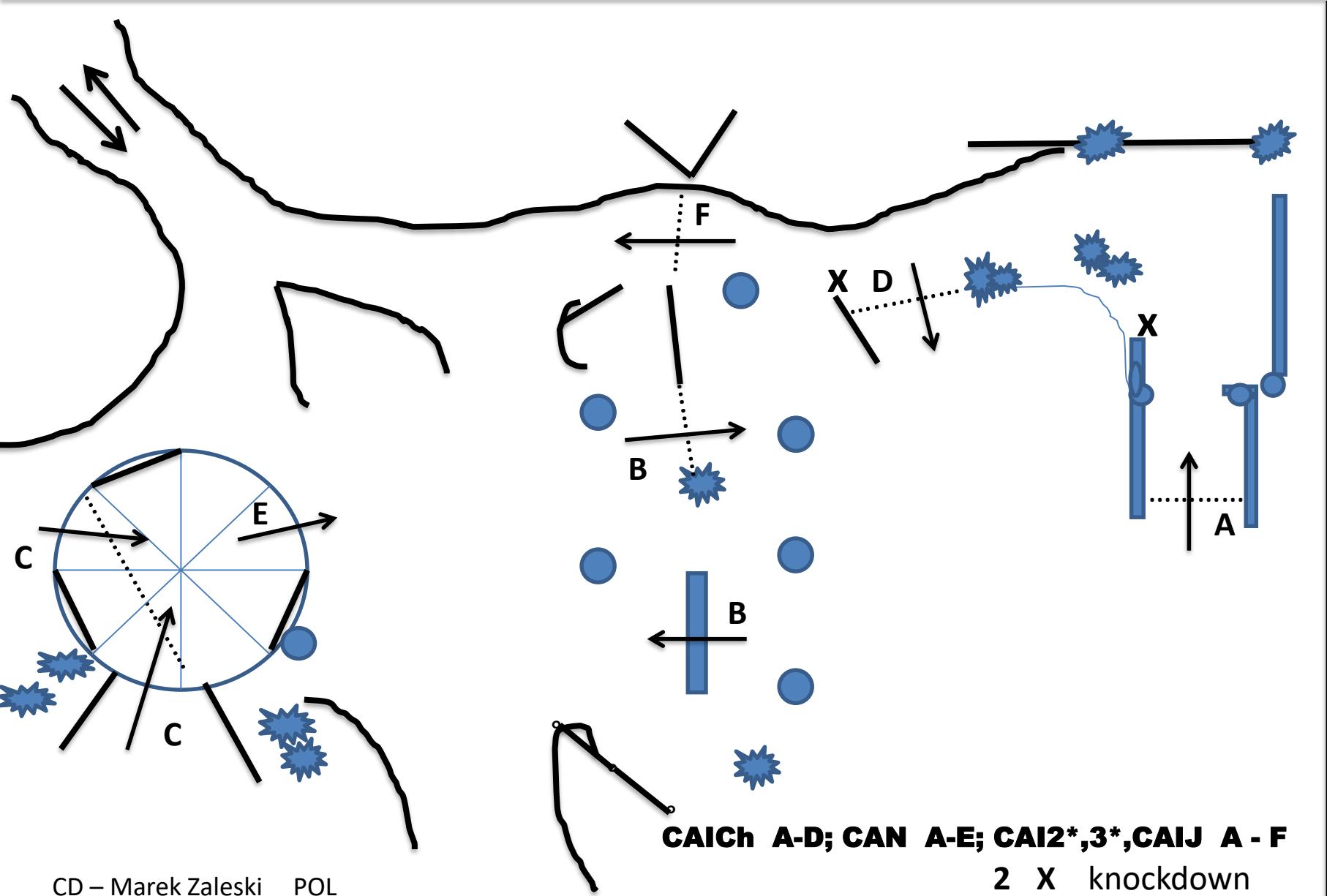


2

CAI2* + CAI3*

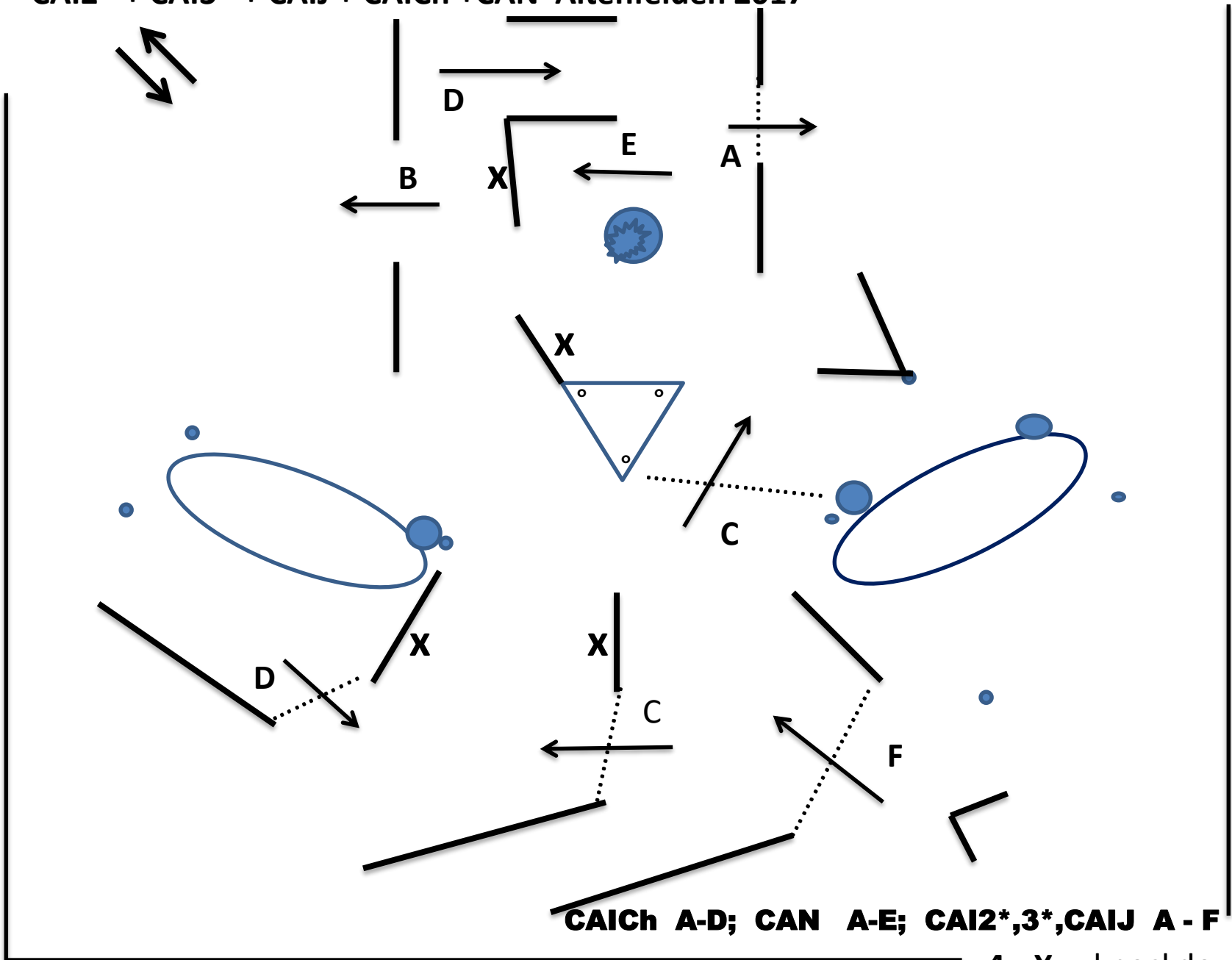
Altenfelden 2017





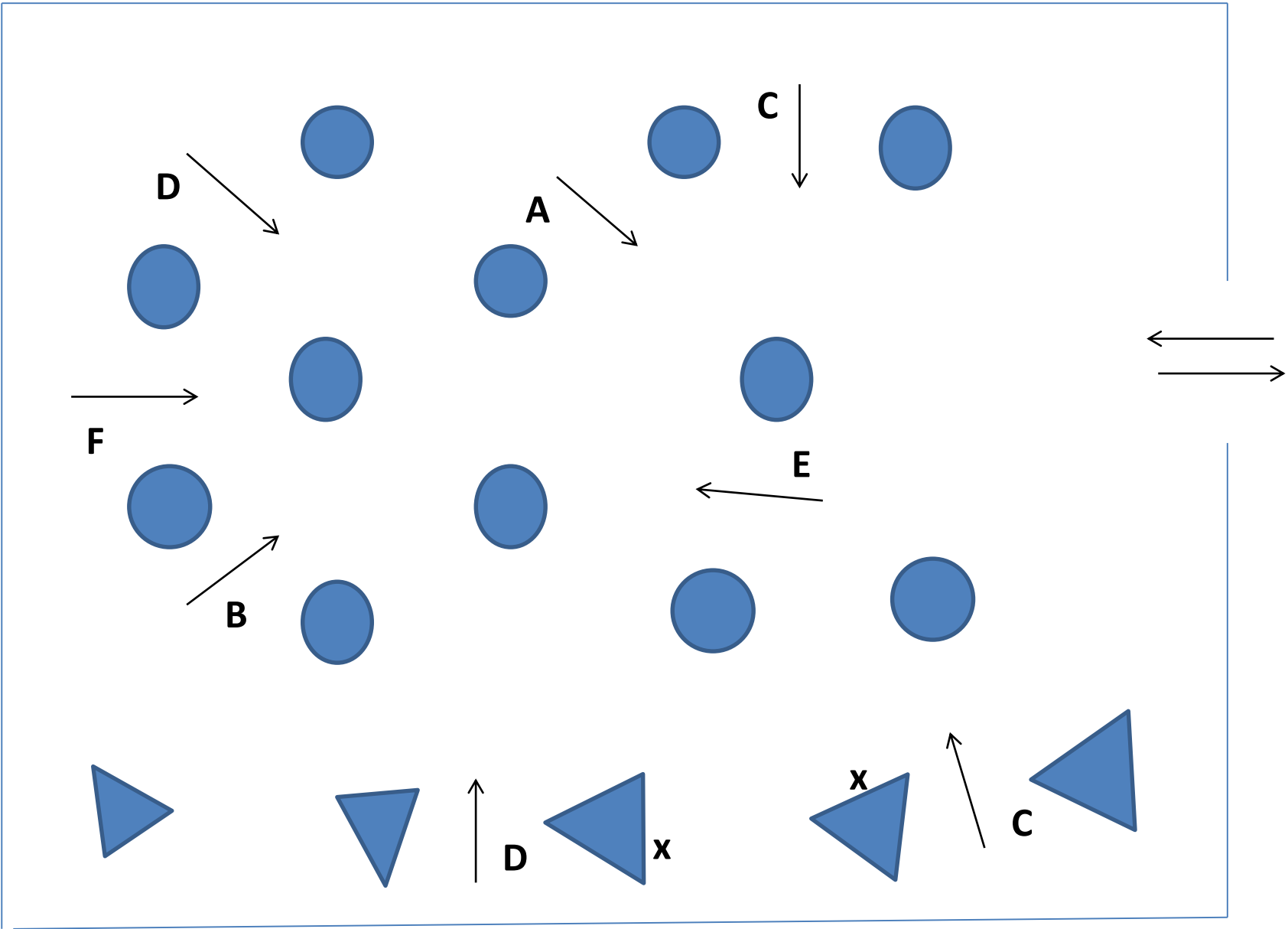
4

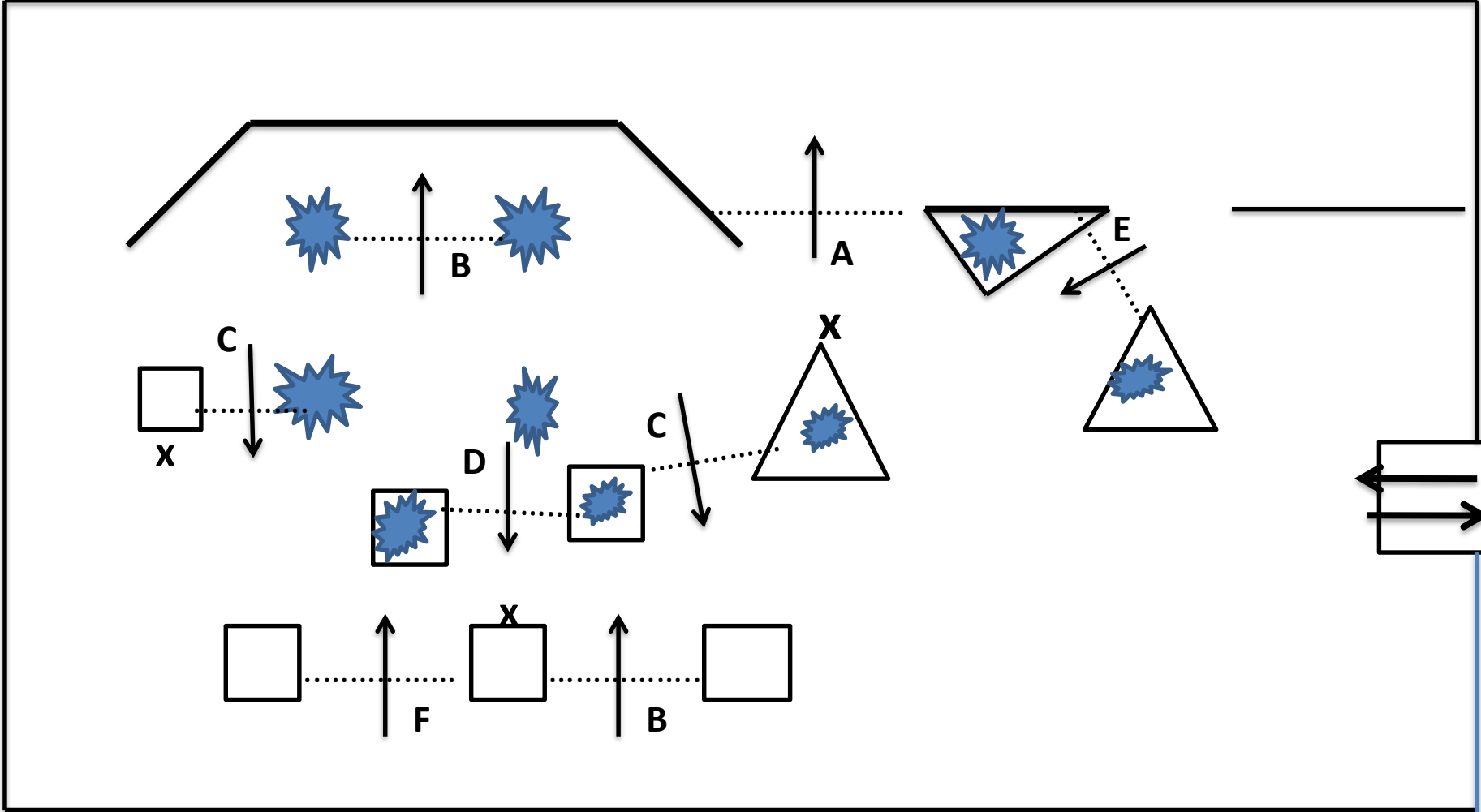
CAI2* + CAI3* + CAIJ + CAICh + CAN Altenfelden 2017

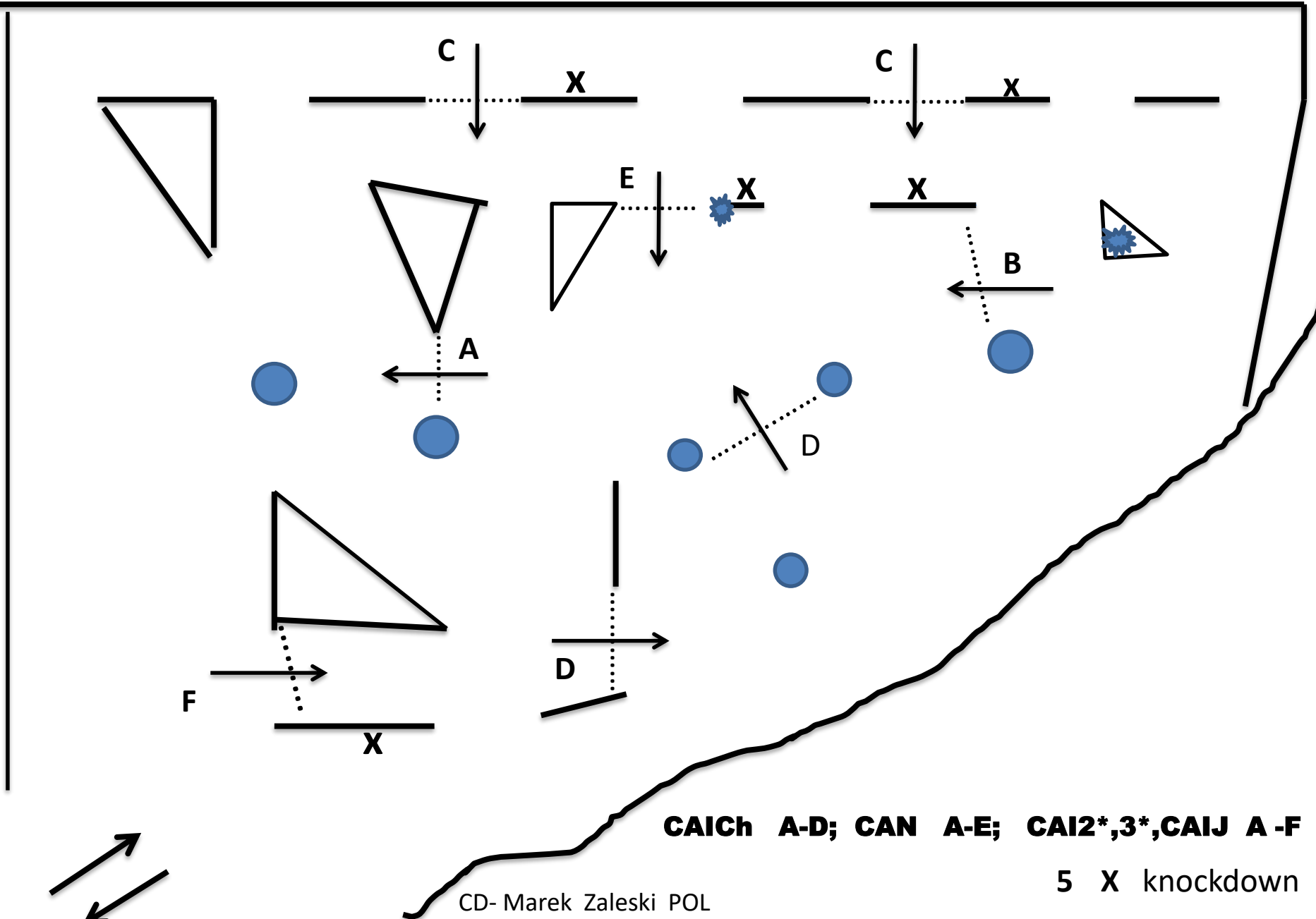


CAICh A-D; CAN A-E; CAI2*,3*,CAIJ A-F

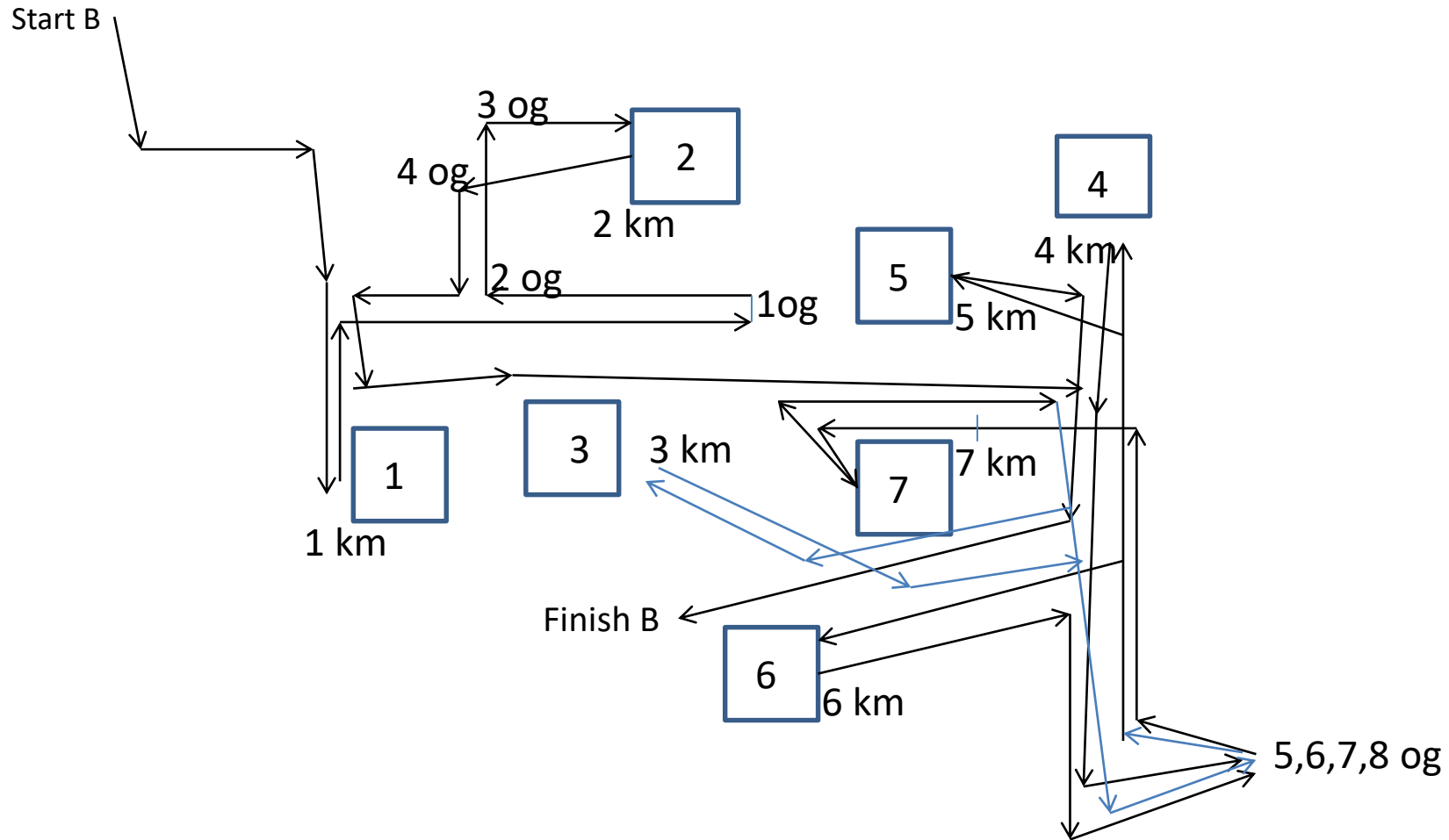
4 X knockdown



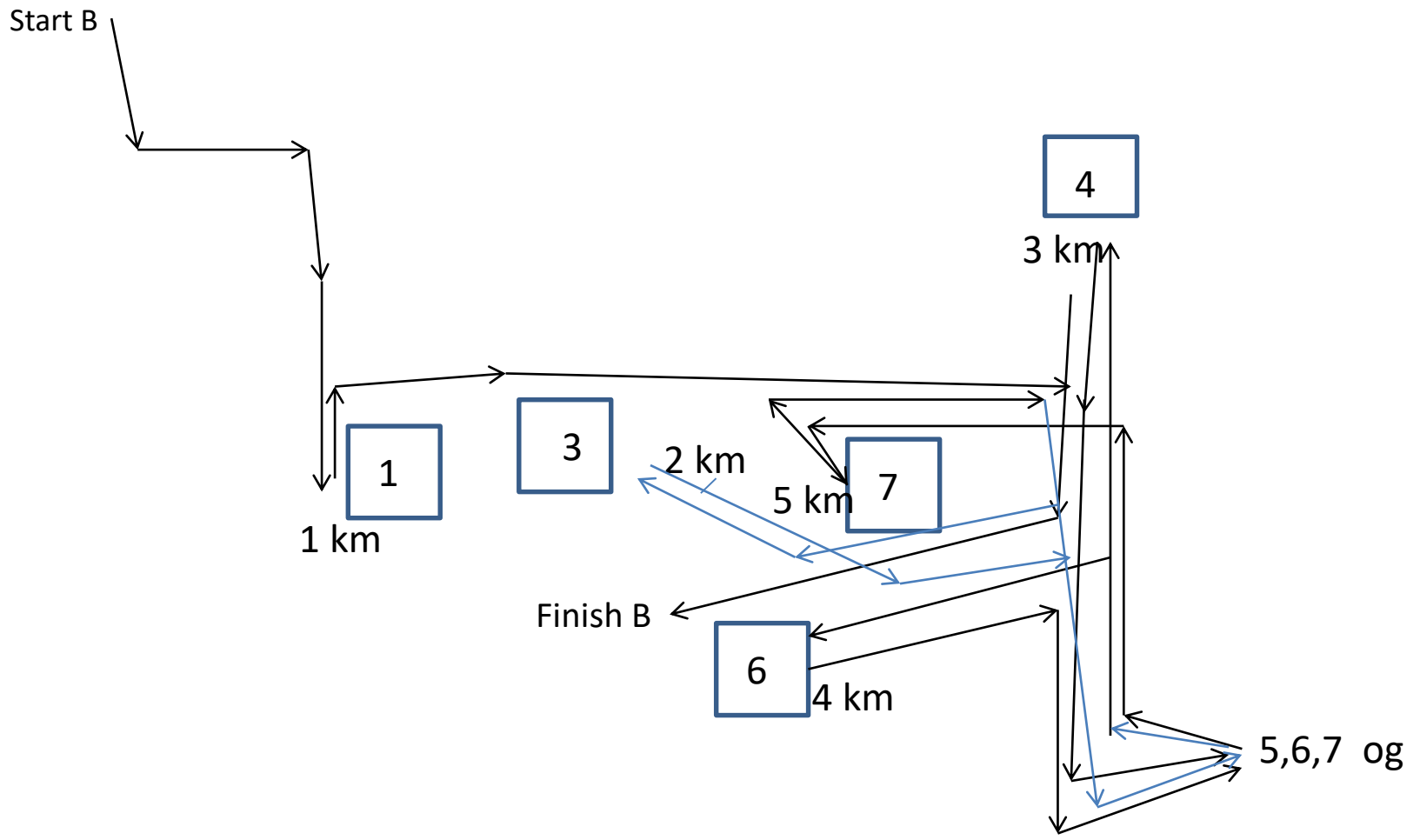




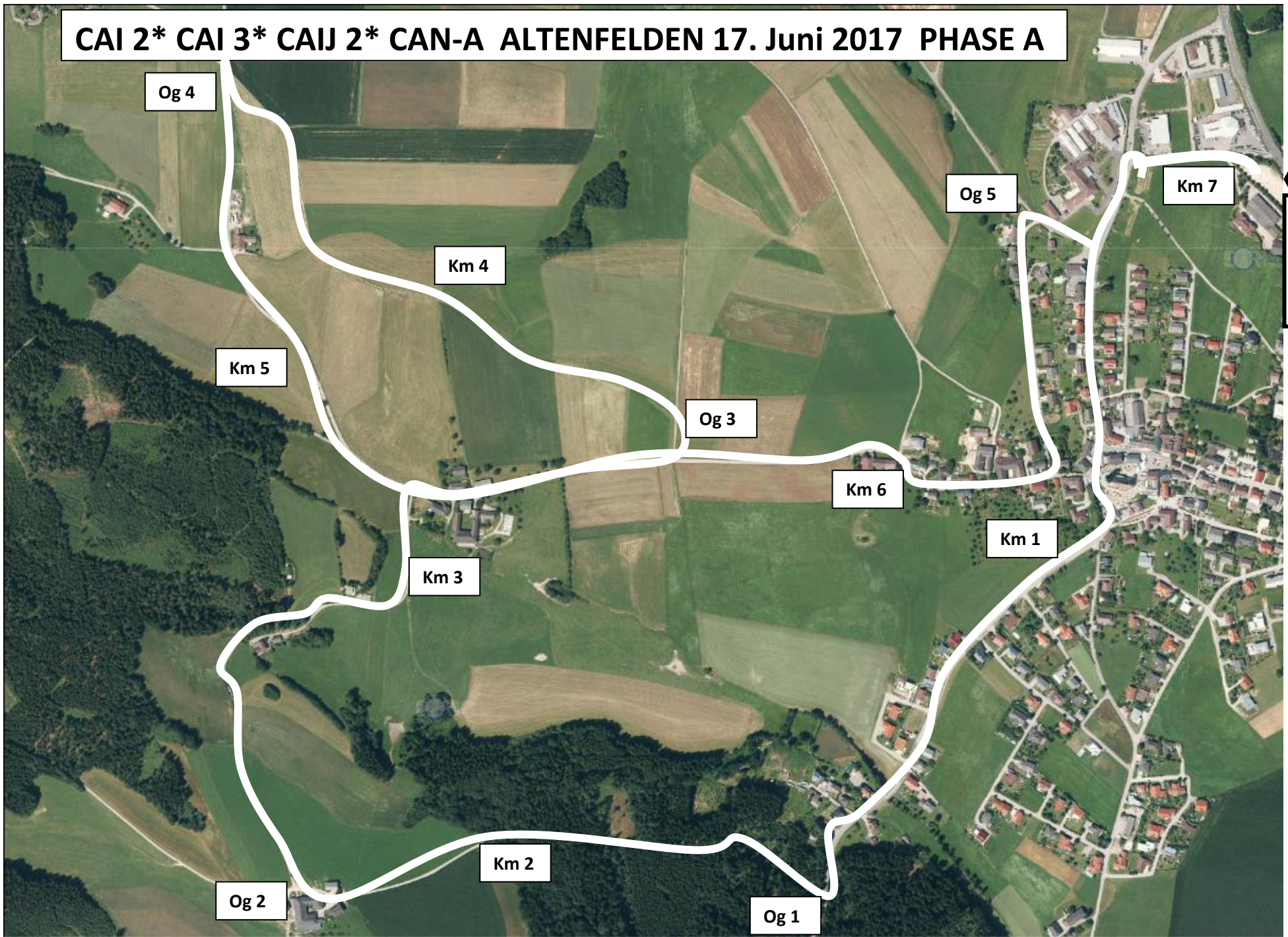
CAI2* + CAI3* ALTENFELDEN 17.06.2017
PHASE B



PHASE B



CAI 2* CAI 3* CAIJ 2* CAN-A ALTENFELDEN 17. Juni 2017 PHASE A



Start A
Finish A
Start B

MARATHON CAI2*+3* ALTENFELDEN 17.06.2017

Phase A 7030 m **Pony 11 km/h** **36'22" - 38'22"** **og 1 - 5**
Horses 12 km/h **33'09" - 35'09"** **og 1 - 5**

Phase A

Start A

Og 1; 1 km; 2 km ;og 2; 3 km ; og 3; 4 km ; og 4 ; 5 km , 6 km ;og 5; 7 km

NZ **1'00"**

Rest **10'00"**

NZ **2'00"**

Phase B 7700 m **Pony 13km/h** **32'33" - 35'33"** **og 1 - 8**
Horses 14 km/h **29'59" - 32'59"** **og 1 - 8**

PHASE B

Start B

900 m

obstacle No 1 (1 km)

og 1 -4

1800 m

obstacle No 2 (2 km)

2750 m

obstacle No 3 (3 km)

og 5

3800 m

obstacle No 4 - (4 km)

og 6

4850 m

obstacle No 5 - (5 km)

og 7

5950 m

obstacle No 6 - (6 km)

og 8

7 km

7100 m

obstacle No 7

300 m

Finish - 7700 m

CD : Marek Zaleski POL

TD: Wolfgang Csar AUT

MARATHON CAIJ + CAN ALTENFELDEN 17.06.2017

Phase A 7030 m **Pony 11 km/h** **36'22" - 38'22"** **og 1 - 5**
Horses 12 km/h **33'09" - 35'09"** **og 1 - 5**

Phase A

Start A

Og 1; 1 km; 2 km ;og 2; 3 km ; og 3; 4 km ; og 4 ; 5 km ,6 km ;og 5; 7 km

NZ **1'00"**

Rest **10'00"**

NZ **2'00"**

MARATHON CAIJ + CAICH + CAN ALTENFELDEN 17.06.2017

Phase B 5500 m **Pony 13km/h** **22'24" - 25'24"** **og 5 - 7**
Horses 14 km/h **20'34" - 23'34"** **og 5 - 7**

PHASE B

Start B

900 m

obstacle No 1 (1 km)

1720 m

obstacle No 3

2 km

og 5

2750 m

obstacle No 4 - (3 km)

og 6

3850 m

obstacle No 6 - (4 km)

og 7

4950 m

obstacle No 7 - (5 km)

300 m

Finish - 5550 m

CD : Marek Zaleski POL

TD: Wolfgang Csar AUT